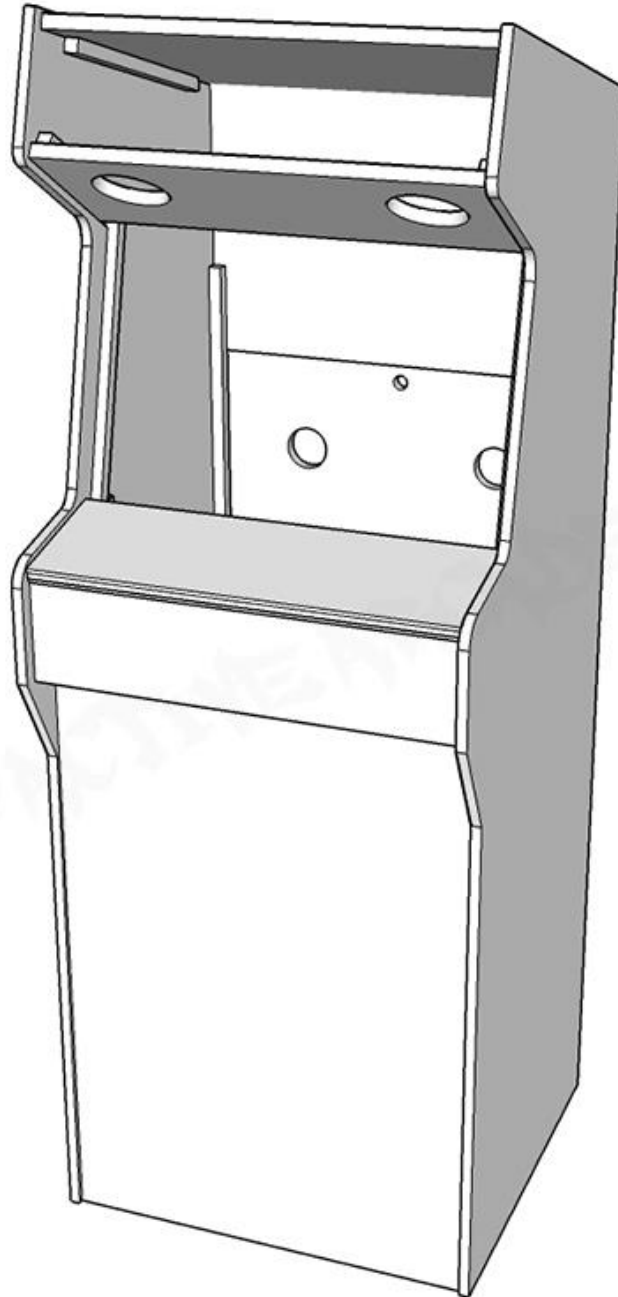




The ORIGIN by Retro Active Arcade Ltd.

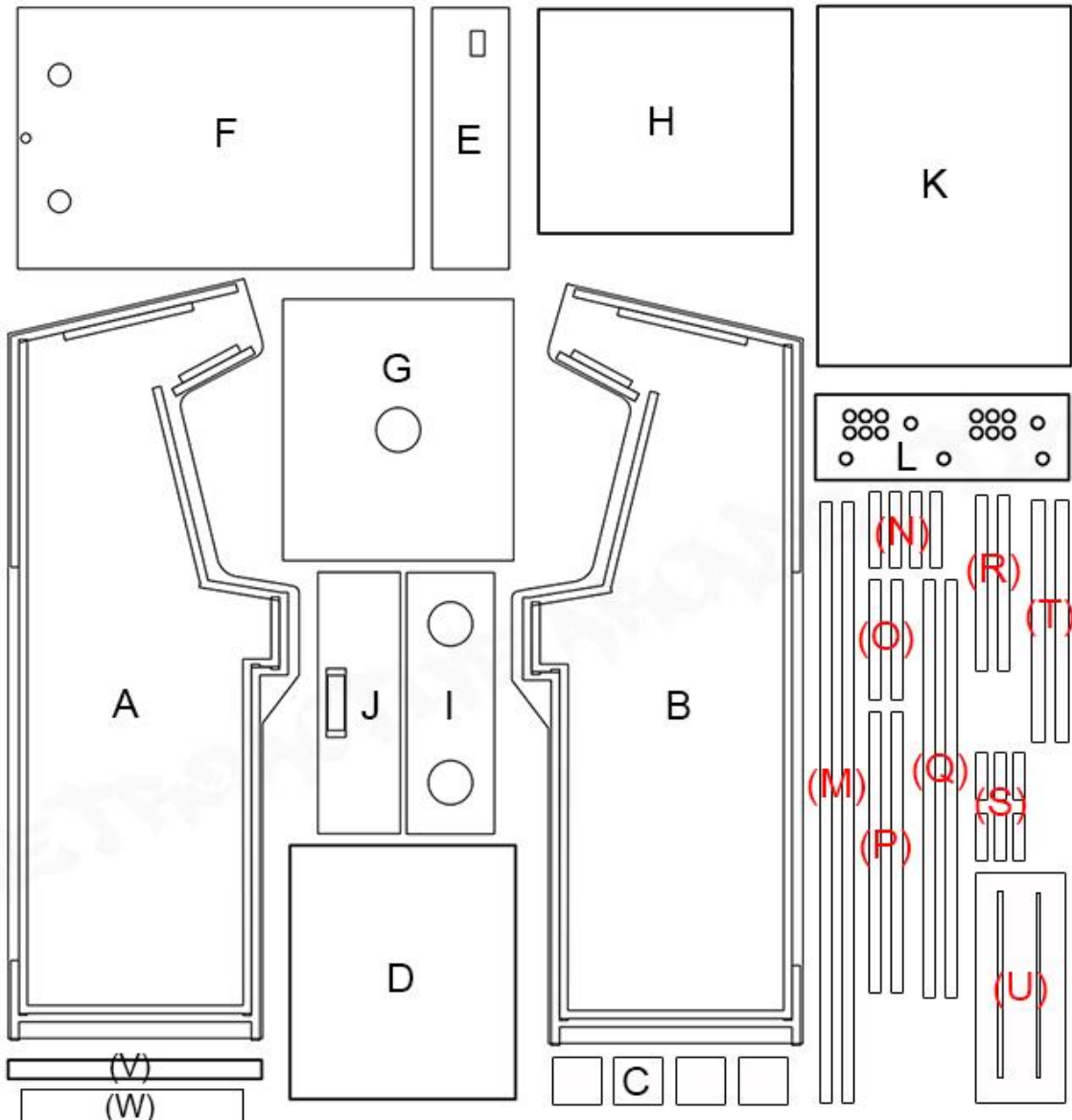


2015



The ORIGIN by Retro Active Arcade Ltd.

Parts List



Please check to make sure that you have all the parts shown in this diagram and the ones listed below before you start your project as some steps require full assembly before allowing the glue to dry.

Hardware Pack includes:

2 x "L" brackets for monitor mount

4 x 1-1/4" wood screws for back door-assembly

Please note that the front console panel will only have a hole if specified for volume controller.

Tools Needed:

Rubber mallet, sandpaper or chisel, drill or screwdriver (Robertson #2) and wood glue



Step #1:

Be sure to read through and understand all the instructions before beginning.
Also make sure to identify all parts to avoid any problems during the build.

Note: If any pieces have an identifier letter carved into them, make sure the lettered side of the part faces to the inside of the cabinet.

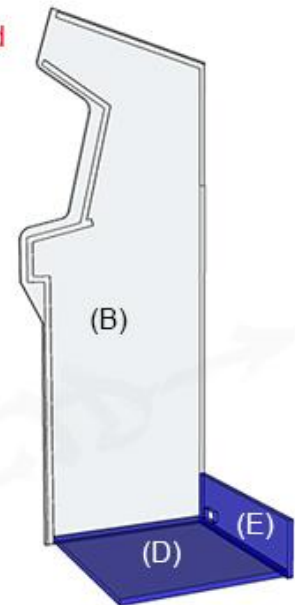
It is recommended that all parts are dry fitted for accuracy before glue is applied.

Cabinet Assembly: (See Fig. 1)

Lay part (B) on a hard, flat, level surface like the floor or elevated bench
On part (B) apply a thin coat of wood glue to the grooves for parts (D) & (E)
Also apply glue to the slot in part (E) where part (D) slots into it.
Place part (D) into the slot on part (B)
Place part (E) into the slot on part (B). Be sure to orient part (E) correctly
with the hole towards the bottom of the cabinet.
Slot parts (D) & (E) together, making sure part (E) is flush with the bottom
of the cabinet.
Use a rubber mallet to seat the all parts into their grooves.

****NOTE****

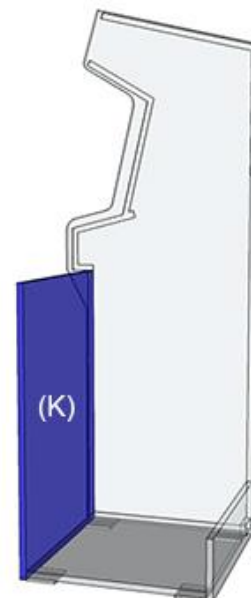
If any pieces have a groove cut for T-Mould please face the groove to the outside of the cabinet.



(Figure 1)

Step #2:(See Fig. 2)

On part (B) apply a thin coat of wood glue to the groove for part (K). Also apply glue to the slot in part (K) where part (D) will slot into it.
Place part (K) into the slot on part (B)
Slot parts (D) and (K) together, making sure part (K) is flush with the bottom of the cabinet.
Use a rubber mallet to seat both parts into their grooves.



(Figure 2)



RetroActive
ARCADE LTD.

CUSTOM ARCADE DESIGN AND MANUFACTURING

LET THE GAMES BEGIN!

Step #3:(See Fig. 3)

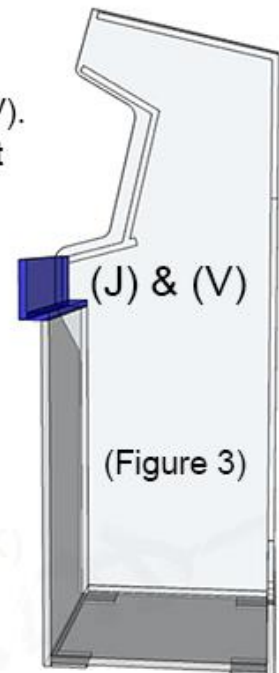
On part (B) apply a thin coat of wood glue to groove on parts (J) & (V).

Also apply glue to the edge of part (K) where it will make contact

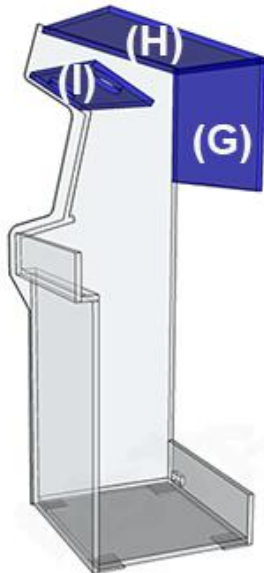
part (V) and to the edge of part (V) where it will contact part (J).

Slot parts (J) & (V) into the grooves on part (B).

Use a rubber mallet to seat both parts into their grooves.



(Figure 4)

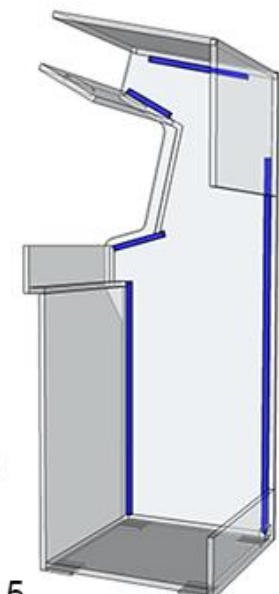


Step #4: (See Fig. 4 & 5)

Speaker, Top and Upper Back Panels.

On part (B) apply a thin coat of glue to the groove for parts (G), (H) & (I).

Also apply glue to the edge of part (G) where it contacts part (H) in (Fig. 5).



Step #5: (See Fig. 5) Panel (B) & Batons

One at a time, apply glue to two adjacent edges of each baton then set the baton into the corner of part (B) and each other part previously set into their grooves on part (B).

Make sure to glue a baton into each location outlined in blue in Fig. 5.

(Figure 5)



Step #6: (See Fig. 6)

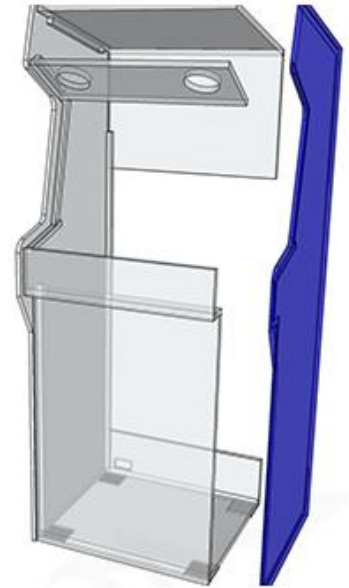
Step 6 must be completed before the glue has had a chance to set up so that the parts already assembled can be moved to fit.

Apply glue to all the grooves in part (A).

Lay part (A) on top of the assembled pieces and fit all the parts (D), (E), (K), (J), (V), (G), (H) & (I) into the grooves on part (A).

When all the parts are fitted into their slots, make sure the cabinet is square.

Lay weights on top of part (A) or use bar clamps to hold/squeeze parts (A) & (B) together until the glue dries.



(Figure 6)

Step #7: (Panel (A) Batons (See Fig. 5)

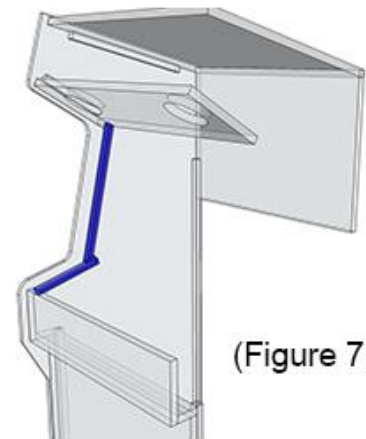
Refer to step 5 and Fig. 5.

Glue and install the batons on part (A)

Step #8: Monitor and Console Batons (See Fig. 7)

One at a time, apply glue to adjacent edges of a baton then set the baton into the grooves on part (B) highlighted in blue in Fig. 8.

Repeat for the batons on part (A).



(Figure 7)



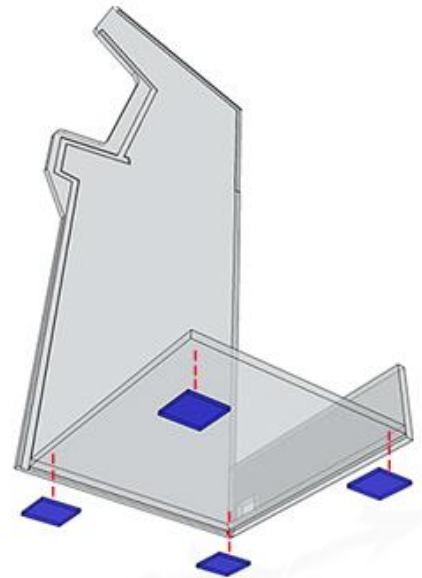
Step #9: (See Fig. 8)

Lay the assembled cabinet on it's side.

One at a time, apply glue to 3 sides of each block where it will meet the cabinet. Reffer to Fig. 8.

Screw or nail into each block from the inside of the cabinet.

NOTE: Do not nail or screw from the outside of the cabinet.
The holes will not be repairable.



(Figure 8)

Step #10: Back Door Assembly (See Fig. 9)

Apply glue to the cutout space on the bottom of part (F) and attach part (W).

Take the 4 screws included in the hardware to attach part (F) & (W) using the holes provided in part (W).



(Figure 9)

Step #11: Monitor Mount (See Fig. 10)

Mount your monitor to the monitor brace panel, part (P). Make sure that your monitor is centered on the brace before installing part (P).

Insert the brace panel into the large grooves at the mid point of the monitor opening. This will be a very tight fit.

Position the brace to the desired depth so that you are able to fit a bezel. Screw the 4 metal angle brackets to either edge of the brace and the cabinet to hold it in place.



(Figure 10)